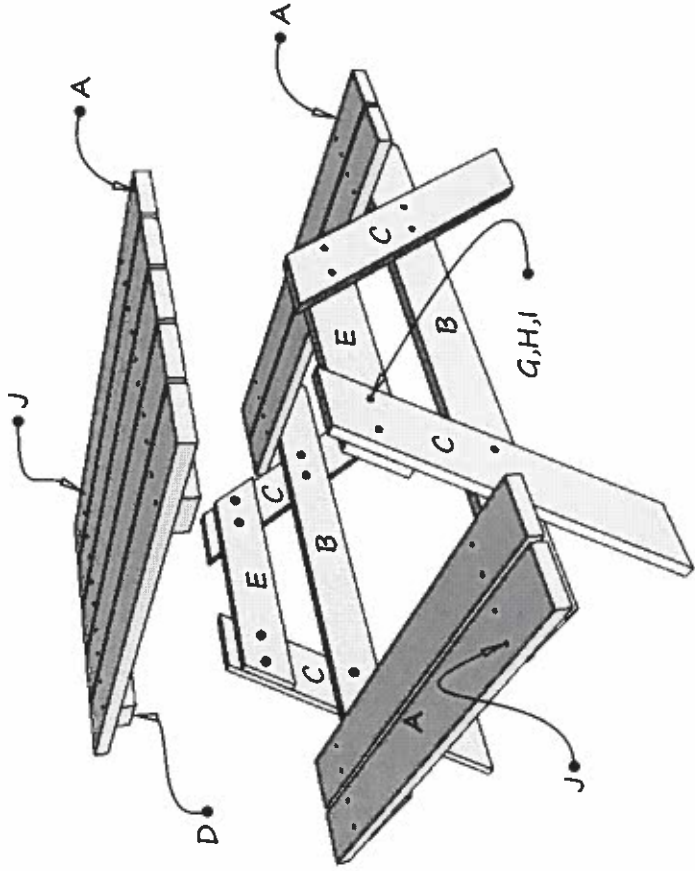


LETS PLAN ON BUILDING A REAL PICNIC TABLE

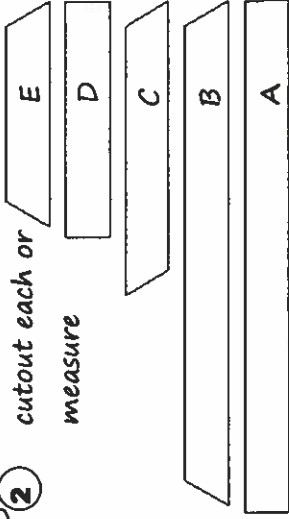
STEP 1



| IDEMS | QTY |
|-------|-----|
| A | 9 |
| B | 24 |
| C | 24 |
| D | 2 |
| E | 2 |
| F | |
| G | 16 |
| H | 16 |
| I | 16 |
| J | 32 |

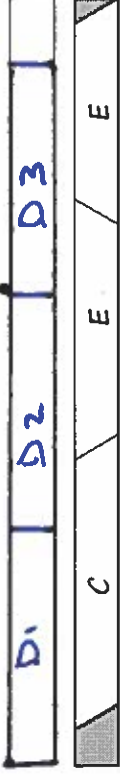
STEP 2

cutout each or measure

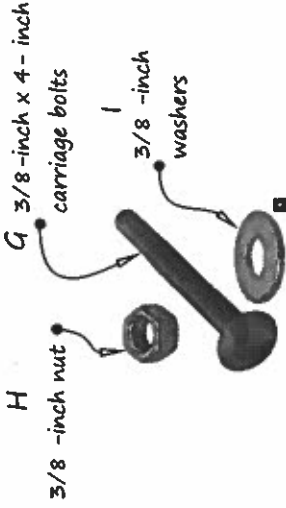


How many D can fit into this space?

examples:



MATERIAL AND HARDWARE



#8 x 2-1/2-inch Square Drive Flat Head Deck Screw



2-in x 6-in x 8-ft Douglas Fir Lumber

HOW MUCH LUMBER ARE YOU GOING TO NEED to build a real picnic table

fill in all A,B,C,D,E

| | |
|----|----|
| A1 | D1 |
| A2 | D2 |
| A3 | |
| A4 | E1 |
| A5 | E2 |
| A6 | |
| A7 | |
| A8 | |
| A9 | |
| | B1 |
| | B2 |
| | C2 |
| | C4 |

QTY **13**

2-in x 6-in x 8-ft Douglas Fir Lumber

STEP 3

Go online to find prices

Qty * Unit price = Total

| Materials | Qty. | Unit price | Total |
|---|------|------------|--------|
| 2-in x 6-in x 8-ft Douglas Fir Lumber | 13 | 12.49 | 162.37 |
| #8 x 2-1/2-inch Square Drive Flat Head Deck Screw | 32 | Box 100 | 10.85 |
| 3/8-inch x 4-inch carriage bolts | 16 | 1.52 | 24.32 |
| 3/8-inch nut | 16 | .62 | 9.92 |
| 3/8-inch washers | 16 | .31 | 4.96 |

Total cost **212.42**