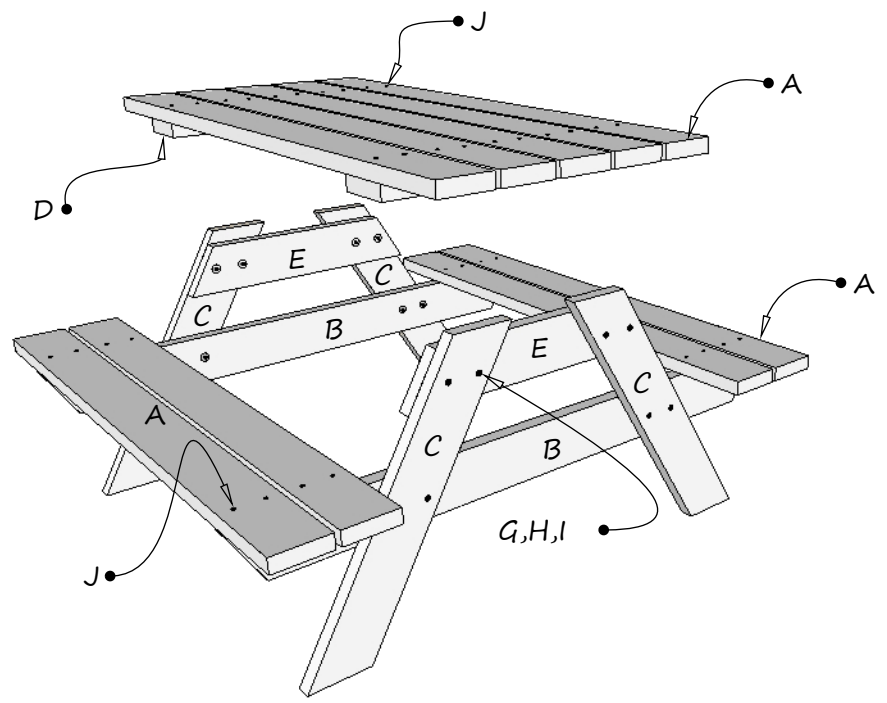


# LET'S PLAN ON BUILDING A REAL PICNIC TABLE

STEP 1

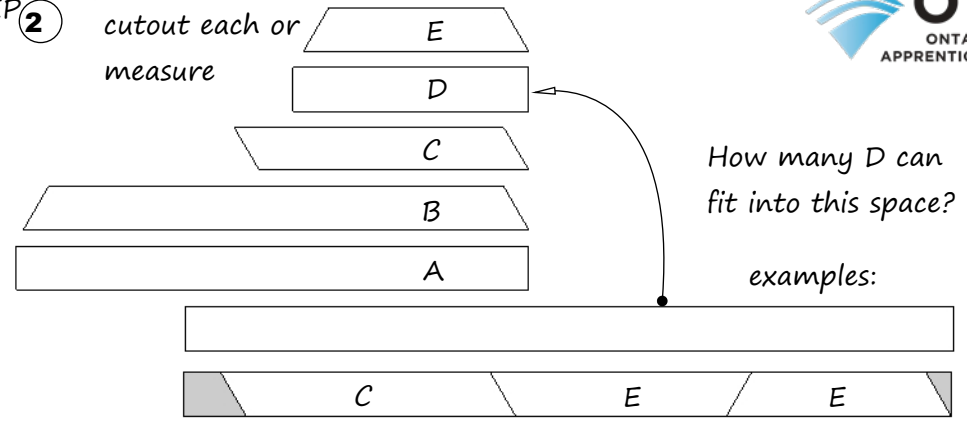


	QTY
A	
B	
C	
D	
E	
F	
G	
H	
I	
J	

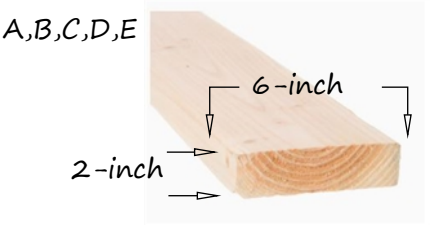
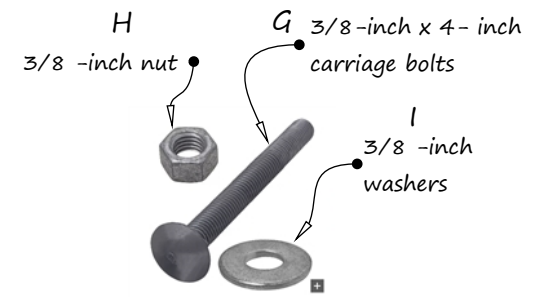
STEP 2



cutout each or measure



### MATERIAL AND HARDWARE



2-in x 6-in x 8-ft Douglas Fir Lumber

HOW MUCH LUMBER ARE YOU GOING TO NEED to build a real picnic table  
fill in all A,B,C,D,E


STEP 3

Go online to find prices

Qty \* Unit price = Total

	Materials	Qty.	Unit price	Total
	2-in x 6-in x 8-ft Douglas Fir Lumber			
J	#8 x 2-1/2-inch Square Drive Flat Head Deck Screw			
G	3/8-inch x 4- inch carriage bolts			
H	3/8 -inch nut			
I	3/8 -inch washers			

Total cost

QTY  2-in x 6-in x 8-ft Douglas Fir Lumber